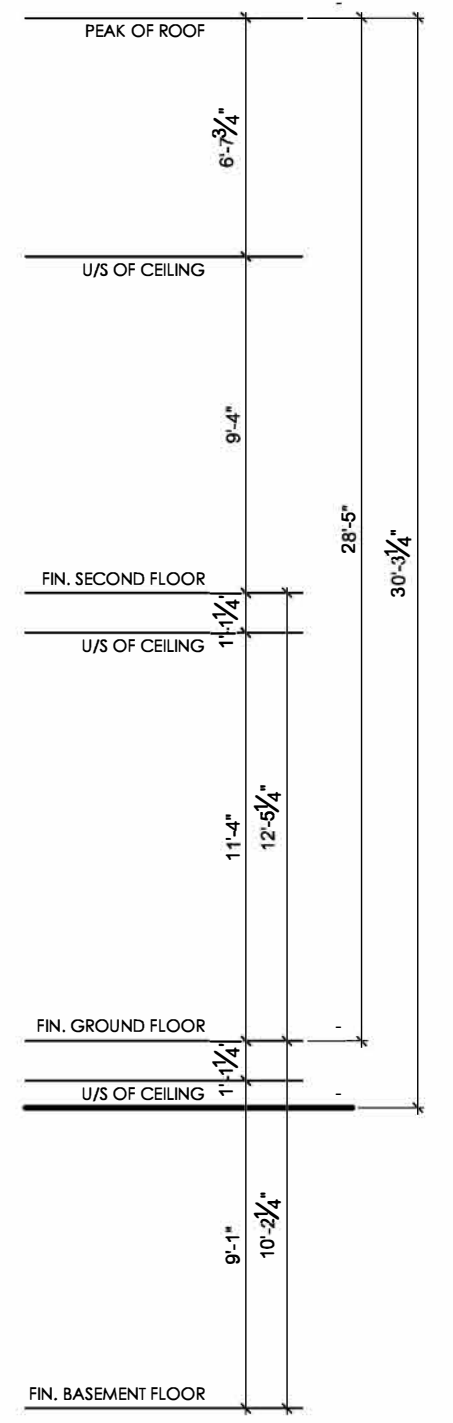
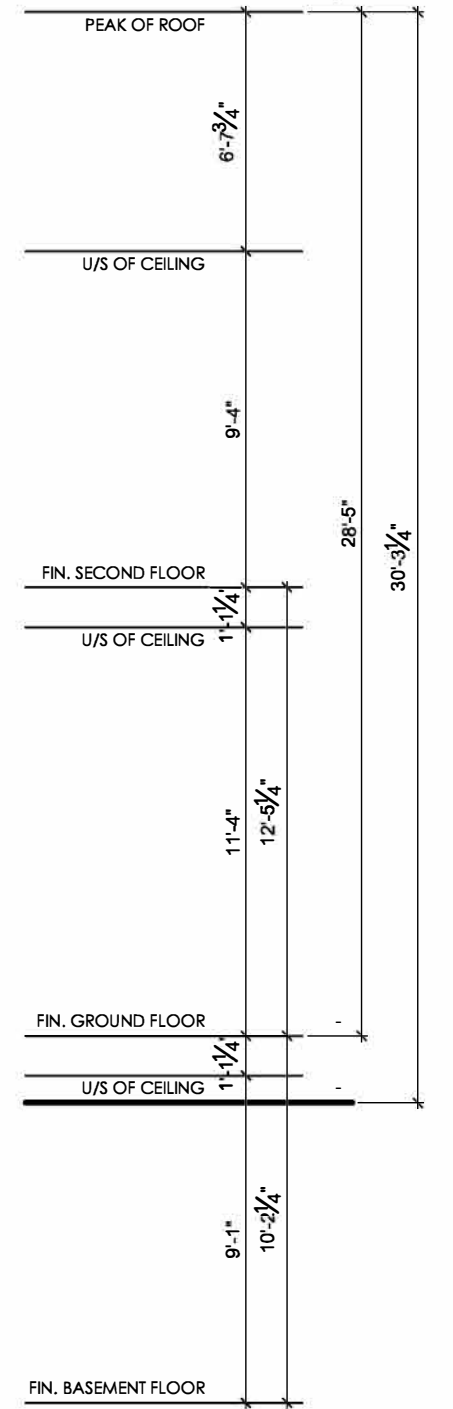


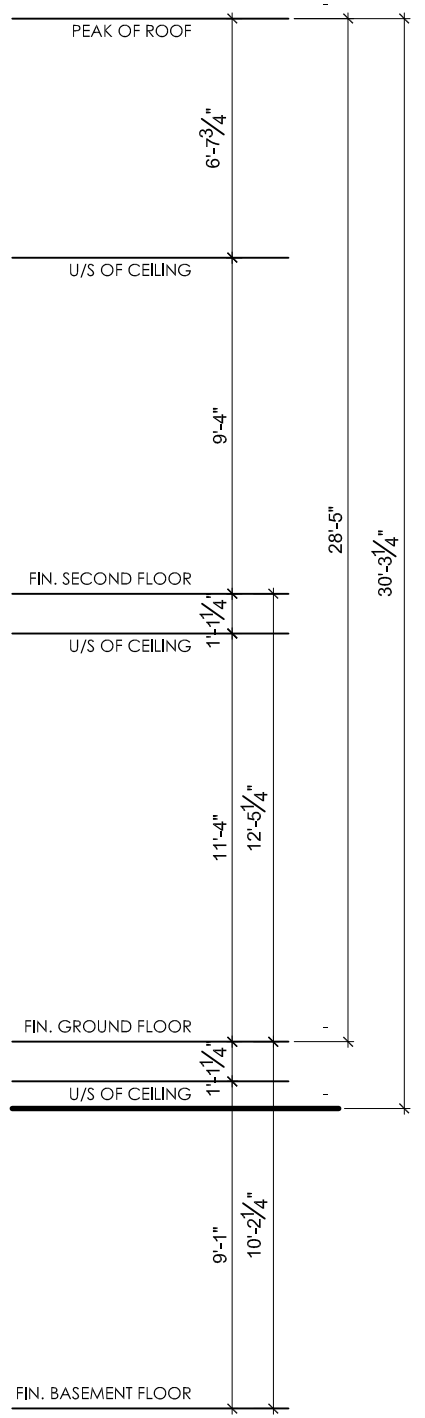
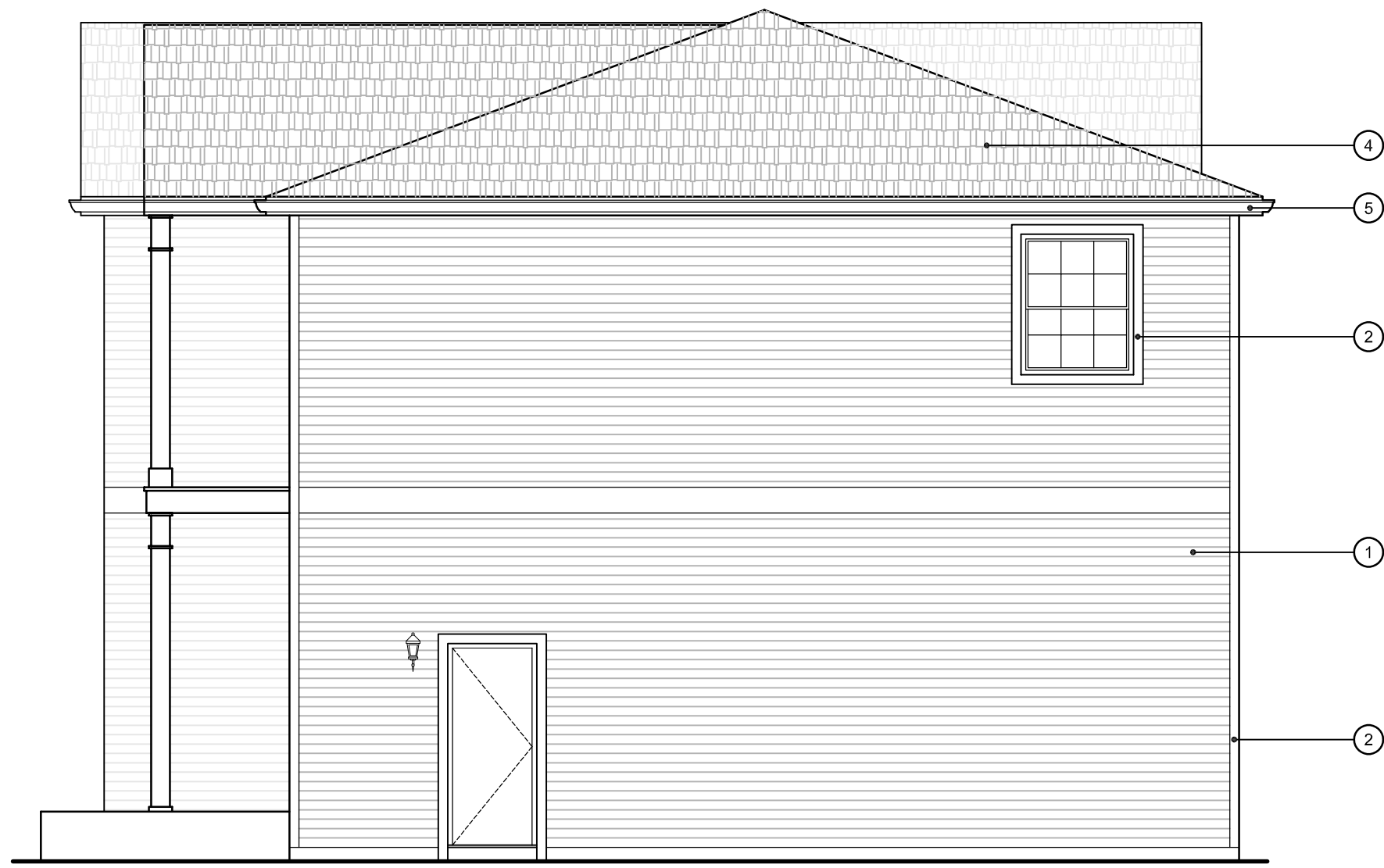
ATTACHMENT 5



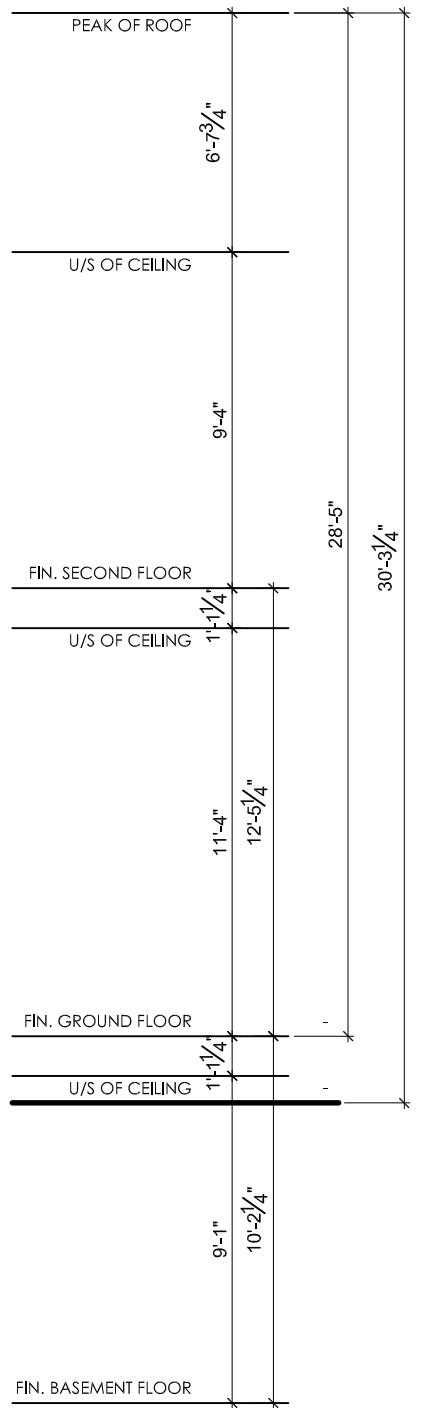
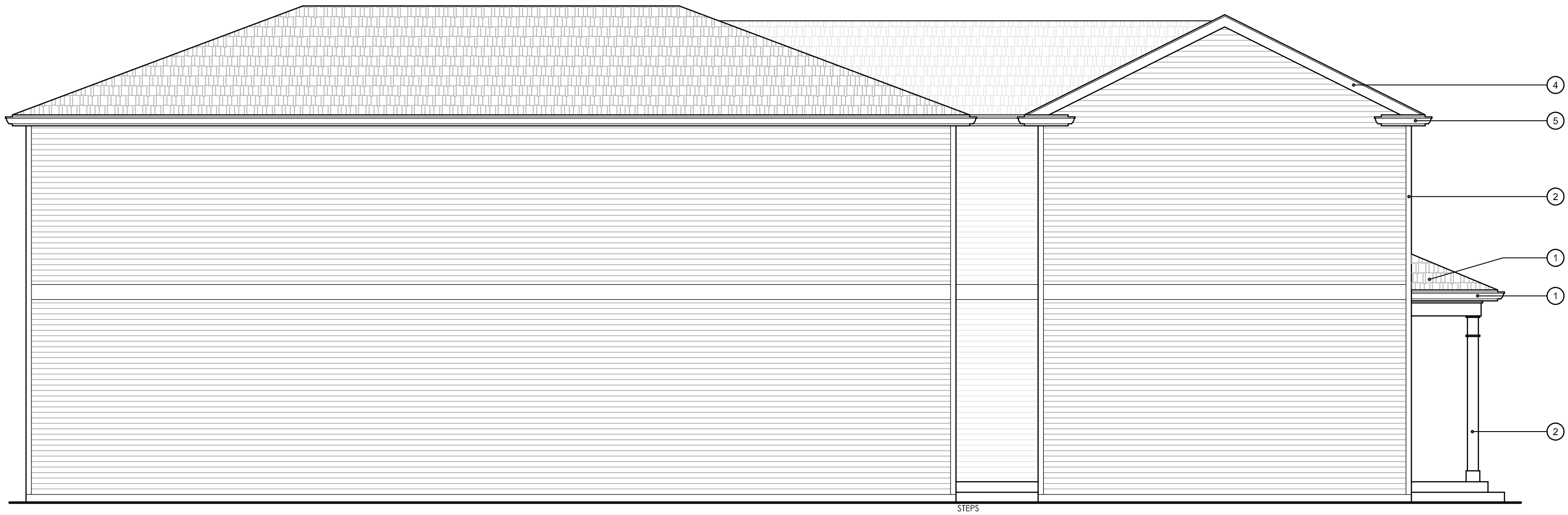
SOUTH ELEVATION



EAST ELEVATION



NORTH ELEVATION



WEST ELEVATION