



Material List and Specifications

Prepared by Cantam Group Ltd.

880 Ellesmere Road Suite 234 Scarborough ON. M1P 2W6

880 Ellesmere Rd. Ste 234
Toronto ON. M1P 2W6

Tel 416-335-3353
Fax 416-335-7967
www.cantamgroup.com

Brick: Hamilton

HAMILTON

Manufactured In:

City: Moncure

State: NC

The Moncure, North Carolina Collection is comprised of superior clay brick for building projects. Stronger and more sustainable than alternative cladding materials, its beauty, durability, and value is unmatched.



Brand: General Shale brick

Type: Face Engineer 3 1/2"W x 2 3/4"H 7 5/8"L

Colour: White

Reference: <https://generalshale.com/products/hamilton/>

Garage Door



Type: Wood

Colour: Dark Brown

Entrance Door



Brand: Amberwood Doors Inc. (or similar)

Type: Wood (B81)

Colour: Dark Brown

Reference: <https://amberwooddoors.com/products/exterior/double-entry-doors/>

Balcony Door



Brand: Amberwood Doors Inc. (or similar)

Type: Wood (B29)

Colour: Dark Brown

Reference: <https://amberwooddoors.com/products/exterior/double-entry-doors/>

Shingle:



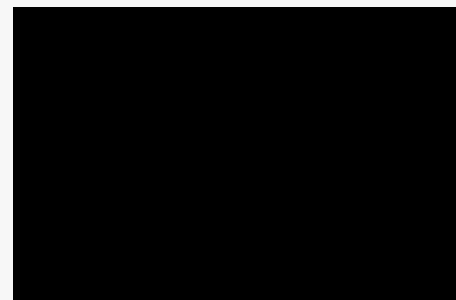
Brand: IKO

Type: Nordic Performance IKO Shingles

Colour: Summit Grey

Reference: <https://www.iko.com/na/residential-roofing-shingles/performance/nordic/>

Eaves:



Black

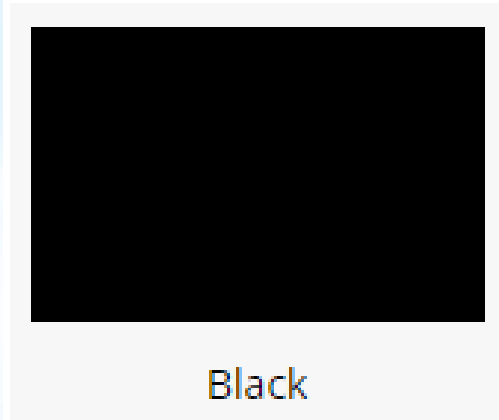
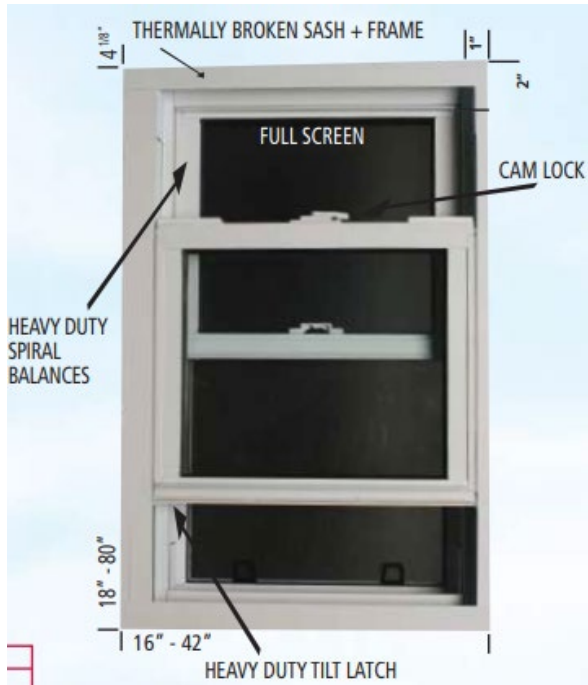
Brand: Gentek (or similar)

Type: Aluminum

Colour: Black

Reference: <https://www.gentek.ca/product-catalog/siding/eavestrough/>

Windows:



Brand: Gentek (or similar)

Type: Aluminum

Colour: Black

Reference: <https://www.gentek.ca/product-catalog/aluminum-windows/century-series-aluminum-windows/>



PERFORMANCE

NORDIC™ & DYNASTY® SHINGLES

IKO.COM/NA



CLASS 4 IMPACT RESISTANT PERFORMANCE SHINGLES⁵

CLASS 3 IMPACT RESISTANT PERFORMANCE SHINGLES⁵

IKO PERFORMANCE SHINGLES WITH ARMOURZONE®



BEAUTY you can see. QUALITY you can feel. PERFORMANCE you can trust.

As time goes by, you and yours will celebrate life's special occasions. You'll weather its many storms too. But when the wind whistles and blows; when the rain pours down and the snow piles up; when thunder and lightning rage outside, you'll find comfort in knowing you've provided your family safe shelter.



Shelter is among our most basic of human needs. Climate experts* have confirmed that severe weather events such as straight-line winds, hurricanes, tornadoes, hail and thunderstorms occur more often, and in more places than ever before.

Your roof is your home's first line of defense against the ravages of Mother Nature, as well as normal, everyday temperature extremes, high winds, rain, snow and even flying debris. When it's time to replace your roof, don't take anything for granted. You want the peace of mind that comes from knowing your family is well-protected, safe and comfortable. So, don't settle for less than IKO Nordic or Dynasty Performance class shingles.

At IKO, four generations of family owned-and-operated experience go into everything we make. We go to extremes to ensure our roofing products will perform and protect your home and family for years to come. Because at IKO, it's not just roofing. It's roofing elevated.

*The following studies and sources attest to the rise of severe weather • A 2013 climate analysis from Stanford University forecasts global warming to drive an increase in severe thunderstorm risk in the U.S. • The 2018 3M Economic Forecast for the U.S. Asphalt Roofing Study with data from the NOAA/National Weather Service Storm Prediction Center, reports the 18-year average for high-winded storm events is 24,751. • The National Geographic website cites an increase in all global weather events since 1980.

Nordic™



Nordic shingles are available in select markets.



Quite possibly THE BEST laminate asphalt shingle that money can buy.

When it comes to protecting your family, nothing but the best will do. We get it. IKO Nordic Performance shingles provide the ultimate in high-wind and hail protection, for your total peace of mind. No other laminated asphalt shingle offers the combination of heavy asphalt coverage, high-wind uplift prevention and highly effective impact resistance that Nordic does.

As weather patterns become more unpredictable, Nordic presents your best asphalt shingle option, no matter where you live. To achieve Nordic's superior weather resistance, we apply our special polymer-modified asphalt coating to an ultra-durable fiberglass mat. This advanced polymer coating is exceptionally pliable compared to regular-duty shingle asphalt and contributes to giving Nordic exceptional strength and resilience, high-wind resistance and added flexibility for application in cold temperatures.

Nordic shingles also outperform because they boast IKO's ArmourZone® — an enhanced nailing area that features a specially designed, tough reinforcing strip that offers incredible nail-holding power. Nordic shingles come with a 130 mph (210 km/h) limited wind warranty¹. Plus, IKO's FastLock® sealant helps resist wind uplift and potential water infiltration.

To top it all off, Nordic shingles come in gorgeous hues created by combining our advanced high-definition color-blending technology with deep shadow bands for added dimension. For the ultimate in form and function, you simply can't make a better, smarter choice: IKO Nordic.

The "Power of Polymer" means that this coating acts like a shock absorber, qualifying Nordic shingles for a **Class 4 impact resistance rating**.^{5*} That's important because Class 4 is the highest such rating you can get for residential asphalt shingles.

*This is not a guarantee of impact resistance against hail. Damage from hail is not covered under the limited warranty. See full details.⁵



Dynasty®



Mother Nature can howl all she wants.

Lesser shingles may tear or blow off when Mother Nature starts to howl, but IKO Dynasty holds on tight. Our oversized Dynasty shingles feature IKO's ArmourZone®. It's a 1-1/4" nailing area, made with a tough reinforcing woven band for incredible nail-holding power. In high winds, it helps shingles resist nail pull-through and shingle blow-off so well that they carry a 130 mph (210 km/h) limited wind warranty. In qualifying Dynasty for a Class 3 impact resistance rating,^{5*} we've further elevated the peace of mind that comes from knowing your home and family are well protected against Mother Nature's fury.

IKO Dynasty shingles qualify for a **Class 3 impact resistance rating**.^{5*} This may enable you to obtain a reduction in your homeowner insurance premium, if available.^{5*}

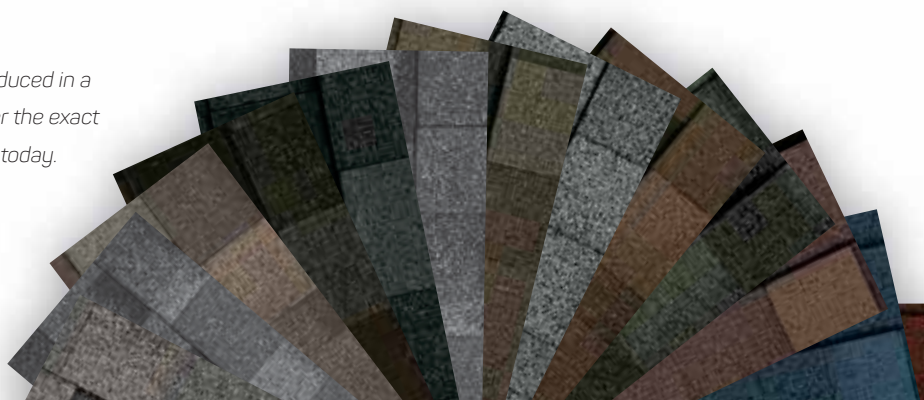
*This is not a guarantee of impact resistance against hail. Damage from hail is not covered under the limited warranty. See full details⁵.

At the core of every Dynasty shingle is a durable fiberglass mat. This, along with its thick asphalt coating, makes it one of the heaviest shingles in its class. Dynasty's weight helps the shingles lie flat and stay put on your roof, thwarting the wind from prying them up. In addition, we apply IKO's proprietary FastLock® sealant along the bottom edge. When this special adhesive is activated by the radiant heat of the sun, it creates a super-strong bond to help shingles seal down to further defeat the wind.

To protect its asphalt and keep it performing its best, Dynasty is coated with colored granules. IKO's exclusive, advanced color-blending technology enables you to choose from high-definition hues to complement your home's style, enhance curb appeal and be the envy of the neighborhood.

BEAUTIFUL HI-DEF COLOR BLENDS

IKO's Dynasty Performance shingles are produced in a wide array of unique color blends. To discover the exact color availability in your region, visit IKO.com today.



Performance Elevated.

IKO Performance-class asphalt shingles are industry heavyweights because the more we put into them, the more you'll get out of them. Here's what elevates the performance of Nordic and Dynasty shingles.

Performance Begins at the Core.

IKO Performance Shingles offer superior protection against wind uplift and water infiltration. Performance-class shingles are among the industry's heaviest thanks to a durable fiberglass mat covered with a thick coat of asphalt.



Effective Sealing.

IKO's proprietary FastLock® sealant is among the industry's best for resisting wind uplift in hot or cold weather. When activated by the sun's heat, it gets extra-tacky and creates a strong bond to help ensure maximum protection against wind uplift and blow-off.

Laminate Adhesive. Five strips of our tough, construction-grade adhesive are used to laminate the shim to the tooth.

Built-in Algae Resistance. Colorfast algae-resistant granules help inhibit the growth of blue-green algae, which can cause unsightly black streaks, stains or discoloration.

Impact Resistant Shingles



IKO Nordic Shingles Feature a Class 4 impact resistance rating.^{5*}

Their polymer-modified asphalt coating acts like a shock absorber.



IKO Dynasty Shingles Feature a Class 3 impact resistance rating.^{5*}

*This is not a guarantee of impact resistance against hail. Damage from hail is not covered under the limited warranty. See full details.⁵ Nordic shingles are available in select markets.

Granule Coverage and Adhesion.

We quarry, crush and colorize our granules to exact specifications. The granules' main purposes are to protect the underlying asphalt against damage from the sun's harmful rays and to help inhibit the natural weathering process.

Our exclusive, advanced color-blending technology creates beautiful, high-definition color blends you'll love to see on your home.

Nail-Holding Power. Our Performance shingles are reinforced with IKO's "ArmourZone®." The 1 1/4-inch wide nailing surface for correct nail placement, with a tear-resistant, woven band on the back, provides even more fastening strength over a wider surface. Nails applied in this area are optimally positioned to help resist nail pull-through and shingle blow-off, even in high-wind conditions.

THE IKO ADVANTAGE^{3,4}

Limited Warranty ¹	Limited Lifetime ²
Iron Clad Protection ¹	15 Years
Limited Wind Warranty ¹	130 mph (210 km/h)
Blue-Green Algae Resistant ¹	Yes

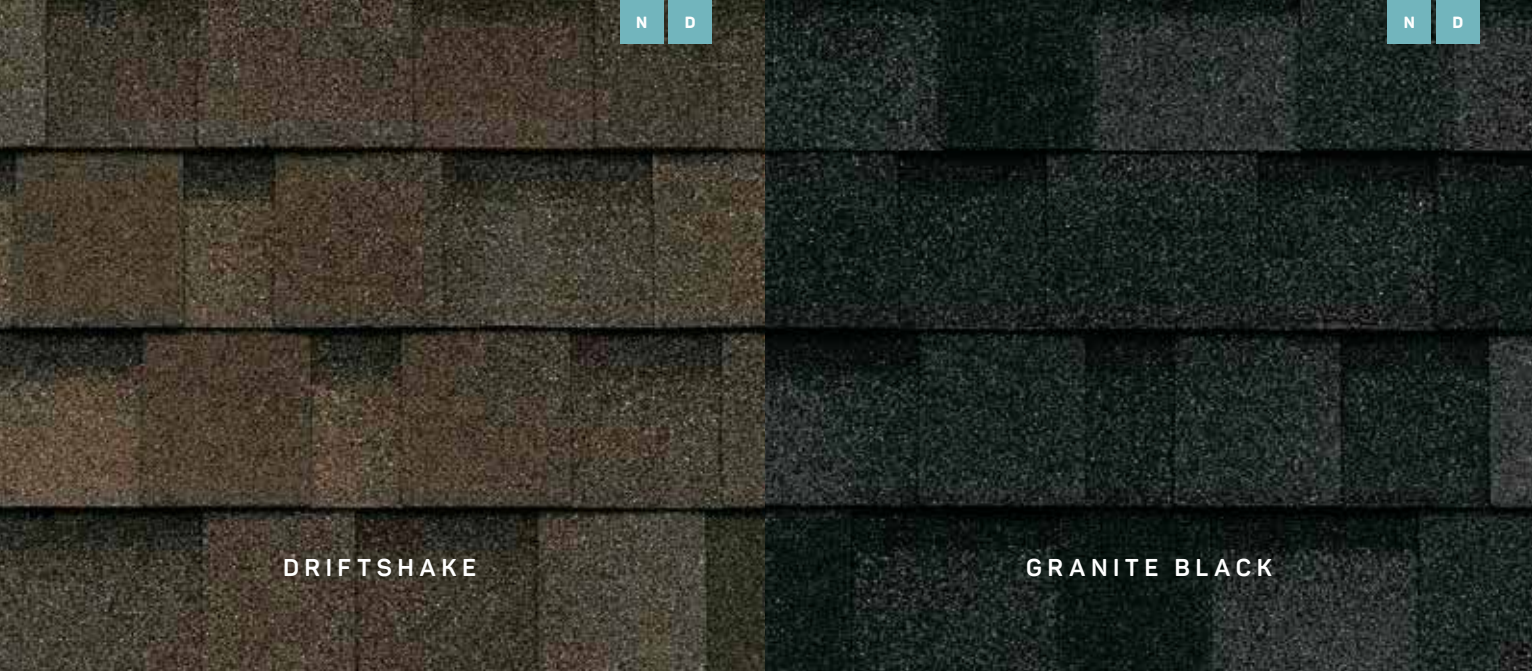
Length	40 7/8 in (1,038 mm)
Width	13 3/4 in (349 mm)
Exposure	5 7/8 in (149 mm)
Coverage per Bundle	33 1/3 ft ² (3.1 m ²)

ASTM D3462, ASTM D3018, ASTM D3161 – Class F, ASTM D7158 – Class H, ASTM E108/UL 790 – Class A, FM 4473 – (Class 4⁵ - Nordic, Class 3⁵ - Dynasty)

NOTE: Product and color availability may vary by region. Products with Miami Dade NOA and FBC product approval listings are available. Meets requirements of the Texas Department of Insurance. Please contact IKO for details. ¹See Limited Warranty at IKO.com for complete terms, conditions, restrictions and application requirements. Shingles must be applied in accordance with application instructions and local building code requirements. ²"Lifetime" means the period of time commencing on the date of the completion of the installation of the shingles on the building and continuing so long as the owner owns the building on which the shingles were installed. ³All values shown are approximate. ⁴Products are developed with reference to these standards. ⁵This impact rating is solely for the purpose of enabling residential property owners to obtain a reduction in their residential insurance premium, if available. It is not to be construed as any type of express or implied warranty or guarantee of the impact performance of this shingle by the manufacturer, supplier or installer and damage from hail is not covered by the Limited Warranty. IKO recommends the use of its Class 4 impact resistance rated Hip and Ridge cap shingle in conjunction with the use of Class 4 impact resistance rated shingles, and the use of no less than its Class 3 impact resistance rated Hip and Ridge cap shingle in conjunction with the use of Class 3 impact resistance rated shingles. For further detail concerning the FM 4473 standards, visit the FM Approvals website.

Note: 3 bundles = 1 full square = 100 sq ft coverage

Extreme BEAUTY you can see. You'll love how IKO Nordic and Dynasty Performance laminated shingles can enhance the appearance of your home.



An array of eye-catching, high-definition color blends are offered to complement any style of home. Deep shadow bands provide breathtaking contrast, while highlights punctuate the pattern. Your biggest challenge? Narrowing your choice down to just one favorite.



CORNERSTONE/WEATHERWOOD

CORNERSTONE/WEATHERWOOD

Natural, relaxed, stately, welcoming.

PERFECT PAIRINGS: Stone, wood, brick, masonry, siding (especially cream, beige or grey).

DRIFTSHAKE

Warmly casual, relaxed, breezy.

PERFECT PAIRINGS: Stone, logs, brick, wood, siding (especially brown, cream or grey).

GRANITE BLACK

Formal, classic, urban chic, traditional, elegant.

PERFECT PAIRINGS: Stone, brick, masonry, siding (especially red, white or grey).

BROWNSTONE

Rustic charm, sophisticated urban chic.

PERFECT PAIRINGS: Stone, brick, wood, siding (especially light, medium or dark brown, cream or grey).

FROSTONE GREY

Clean, contemporary, upscale, unexpected.

PERFECT PAIRINGS: Natural stone, grey masonry, grey or white siding.



BROWNSTONE



FROSTONE GREY

Do you want your home to stand out dramatically or blend in harmoniously? Either way, you're sure to boost your home's curb appeal and potentially its resale value with our high-quality Performance shingles.



Color Featured: Shadow Brown



SHADOW BROWN

SHADOW BROWN

Transitional shades and earthy tones. Classic or contemporary elegance.

PERFECT PAIRINGS: Stone, wood, masonry, brick, siding (especially brown, grey or cream).

SUMMIT GREY

Bold, dramatic, timeless.

PERFECT PAIRINGS: White or grey stone, brick or siding; black, white or grey trim.

GLACIER

Stately, formal, elegant, traditional.

PERFECT PAIRINGS: Stone, brick, masonry, siding (especially white, dove-grey or midnight-blue).

EMERALD GREEN

Earthy, natural, soothing.

PERFECT PAIRINGS: Log, wood or earth-tone composite siding, brick (especially red); brown black or dark green trim.



SUMMIT GREY



▶ COLOR VIDEOS

Our color blends are all high-definition, with deep shadow bands and color gradations that combine to create texture and visual appeal. Don't be surprised when people ask what kind of shingles are on your home.

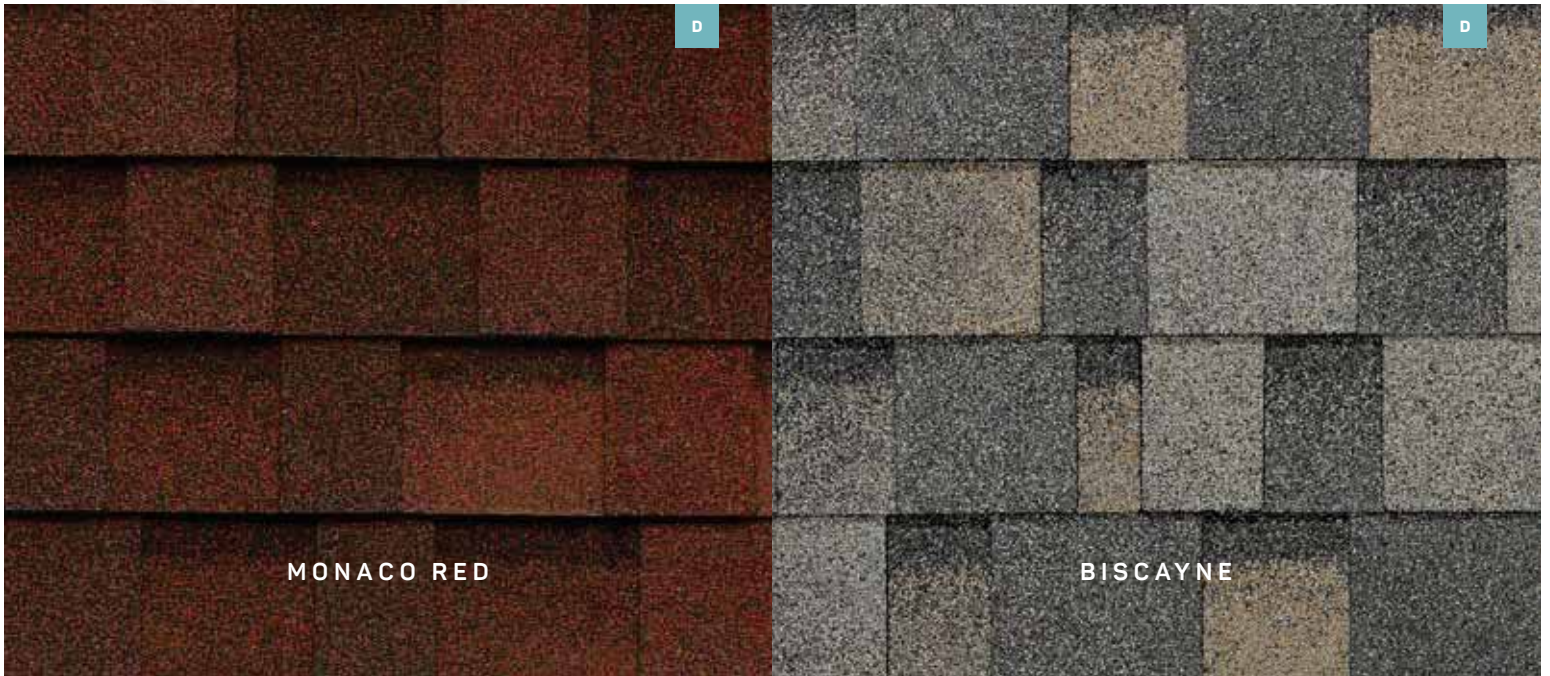


The perfect finishing touch is with IKO ridge cap shingles that complement the high-definition color blends of IKO Dynasty and Nordic Performance shingles.

MONACO RED

Bold, dramatic, eye-catching.

PERFECT PAIRINGS: White, grey or beige stone siding or brick; white, grey, beige or black trim.



MONACO RED

BISCAYNE

Color Featured: Monaco Red



BISCAYNE

Laid-back, welcoming, carefree.

PERFECT PAIRINGS: Stone, wood, brick, siding (especially white or various pastels).

ATLANTIC BLUE⁶

Enduring, daring, different.

PERFECT PAIRINGS: White or grey siding, stone or brick; white or grey trim.

SENTINEL SLATE

Classic, dramatic, upscale urban.

PERFECT PAIRINGS: White or grey stone, brick or siding; black, white or grey trim.



ATLANTIC BLUE⁶

SENTINEL SLATE
AVAILABLE IN SELECT MARKETS

Can't decide on a shingle color? IKO **ROOFViewer**[®] to the rescue!

IKO's exclusive **ROOFViewer** interactive shingle selector tool available at IKO.com, lets you mix 'n' match our shingles based on home style, color of siding and other elements. Or upload a photo of your actual home.

⁶Blue granules may fade after extensive exposure to the sun's ultraviolet rays.

IMPORTANT! To ensure complete satisfaction, please view several full-size shingles and an actual roof installation prior to final color selection, as the shingle swatches and photography shown online, in our brochures and in our **ROOFViewer** tool may not accurately reflect shingle color and do not fully represent the entire color blend range, nor the impact of sunlight.

PROFORMAX™

INTEGRATED ROOFING ACCESSORIES

Shingles are your home's first line of defense, but they protect, perform and look their best installed with the **IKO Proformax Integrated Roofing Accessories** shown below.



PROFORMAX ROOFING COMPONENTS	1a 1b 1c DECK PROTECTION	2 SYNTHETIC UNDERLAYMENT	3 ROOF STARTERS	4 CAPPING SHINGLES
Nordic™	IKO GoldSeam™ IKO StormShield®	IKO Stormtite®	IKO Leading Edge Plus™ or IKO EdgeSeal®	IKO UltraHP® IR IKO Hip & Ridge Class 4
Dynasty®	IKO GoldSeam™ IKO StormShield®	IKO Stormtite®	IKO Leading Edge Plus™ or IKO EdgeSeal®	IKO UltraHP® IR IKO Hip & Ridge 12™

The information in this literature is subject to change without notice. We assume no responsibility for errors that may appear in this literature.



IKO.COM/NA

To find out more about Dynasty and Nordic Performance shingles or additional IKO products, please talk to an IKO sales representative or a professional roofing contractor, or contact IKO directly.

United States 1-888-IKO-ROOF (1-888-456-7663)

Canada 1-855-IKO-ROOF (1-855-456-7663)



Century Series Aluminum Windows



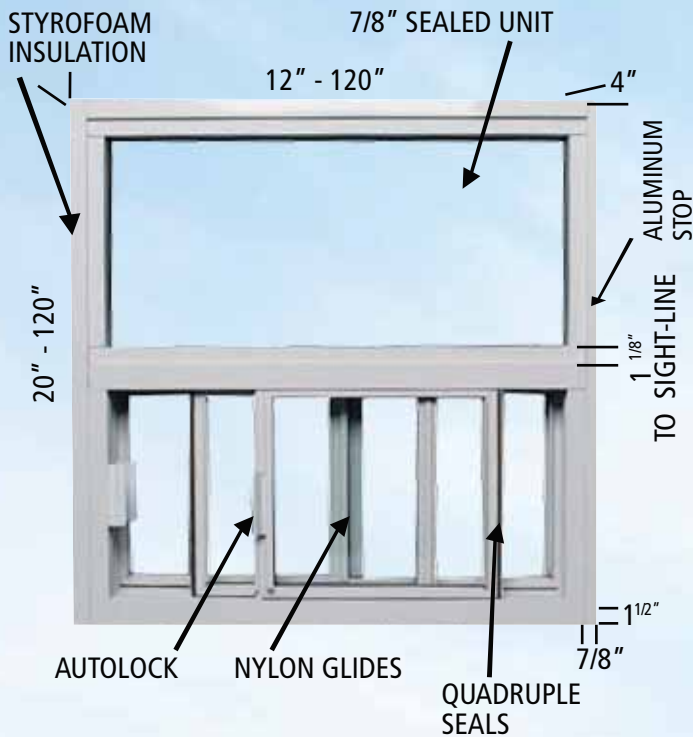
Over forty styles to choose from

- Custom Homes
- Health Care
- Office
- Churches
- Restaurants
- Multi Family
- Residential
- Industrial
- Education

 **GENTEK**[®]
GENTEK BUILDING PRODUCTS

Century Series

Aluminum Windows



Fixed #7400 Fixed / 4 Panel Slider #7410 4 Panel Slider #7401

Features:

- Continuous positive pressure seal with aluminum stops
- Narrow sight lines
- Nylon glides



Test Results

	Fixed	Slider
Air:	Pass	A3
Water:	B6	B7
Structural:	C5	C3
Test Size:	78" W x 78" H (2000 x 2000mm)	62" W x 39" H (1600 x 1000mm)

Popular Combinations:



Double Hung Tilt #7000

Features:

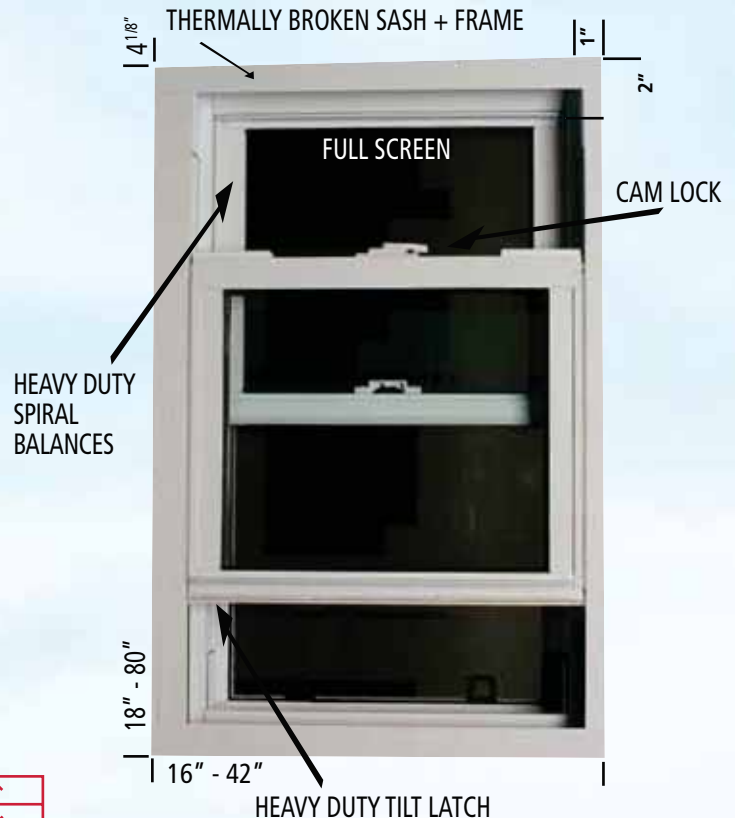
- Two-tone colours available
- Thermally broken sash and frame
- Tilt-in option for easy cleaning
- Available in double or single hung configuration



Test Results

Air:	A3
Water:	B3
Structural:	C3
Test Size:	39" W x 62" H (1000 x 1600mm)

Popular Combinations:



Century Series

Aluminum Windows



Awning #7200 Casement Left #7300 Casement Right #7301

Features:

- Concealed hinges
- Beveled sash
- Sash flush with frame, no unsightly overlap



Test Results

	Casement	Awning
Air:	A3	A3
Water:	B7	B7
Structural:	C3	C4
Test Size:	32"W x 72"H (815 x 1830mm)	39"W x 39"H (1000 x 1000mm)

Popular Combinations:



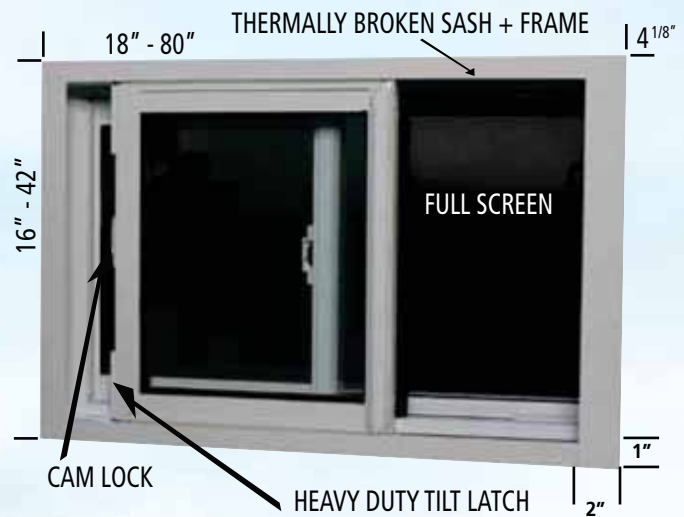
Double Slider Tilt #7100

Features:

- Thermally broken sash and frame
- Double or single slider configurations

Test Results

Air:	A3
Water:	B2
Structural:	C2
Test Size:	62"W x 39"H (1600 x 1000mm)



Popular Combinations:



Finishes

ALL PRODUCTS AVAILABLE IN TWO TONE COLOURS

Colours are: white, black, chestnut brown, commercial brown, ivory, sandalwood, clear anodized

CUSTOM COLOURS ARE AVAILABLE

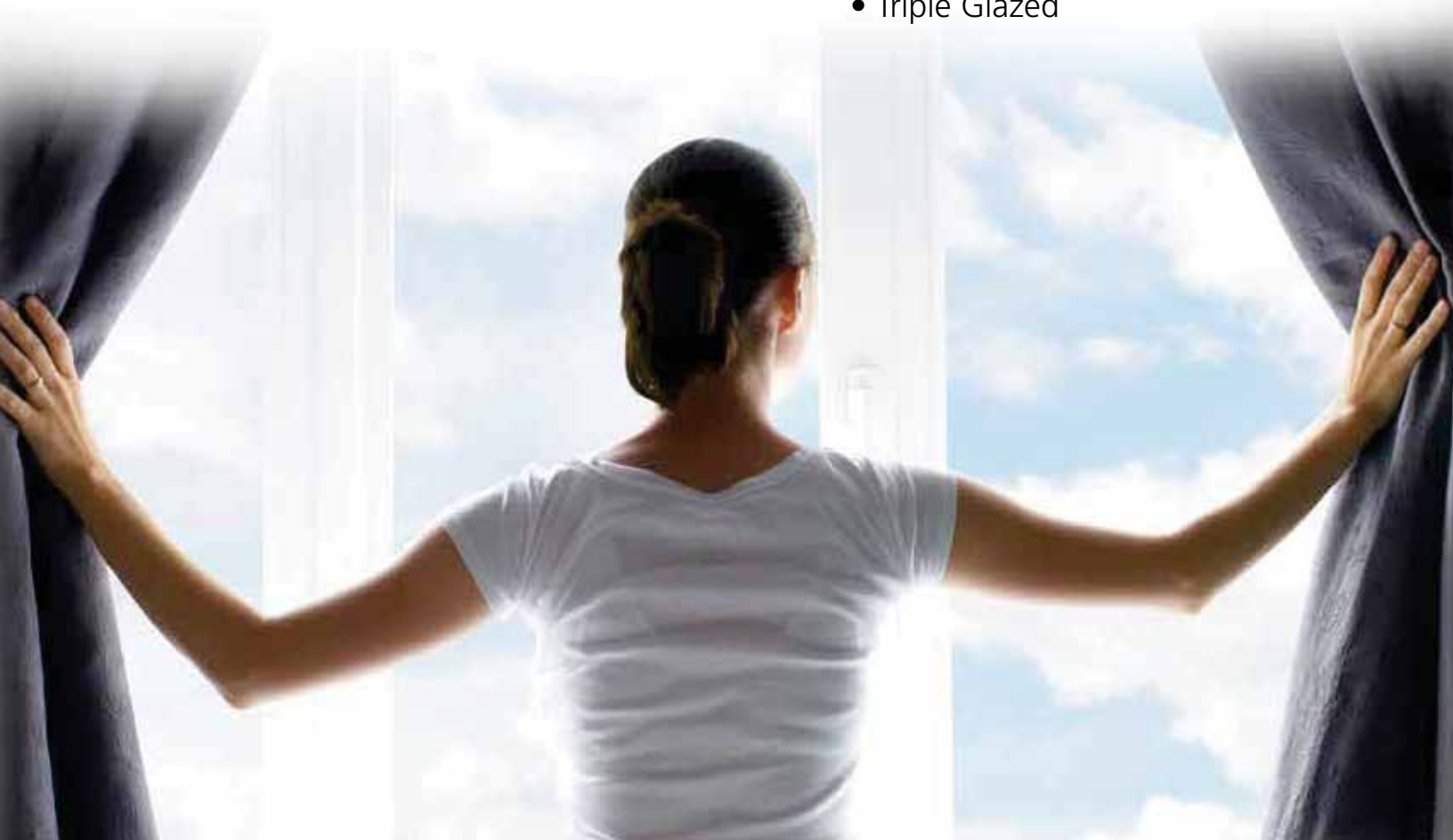
*Not all styles available in all colours

Options

- Limit locks
- Bay and Bow windows
- Round Tops
- Specialty Shapes
- Decorative Grills

Glazing Options

- Low-E
- Argon gas
- Frosted glass
- Tinted glass
- Tempered
- Triple Glazed



GENTEK®

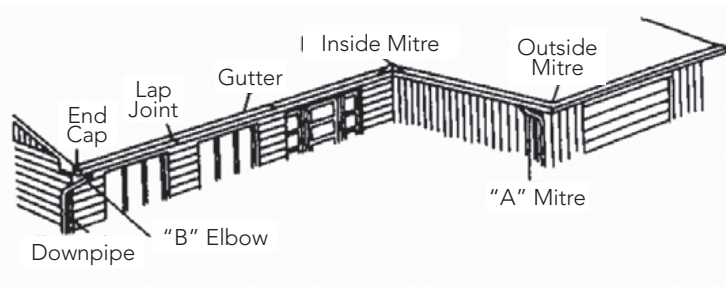
GENTEK BUILDING PRODUCTS

www.gentek.ca



ALUMINUM SOFFIT, FASCIA & RAINWARE INSTALLATION GUIDE





General Information

Gentek Building Products supplies K style gutter in the standard 5" size. Contact your local branch for standard lengths and sizes in your area.

* This installation guide applies to the standard 5" gutter.

During installation take care not to damage the baked enamel finish. When installation is complete wash the finish with a non-abrasive liquid cleaner. Touch up the heads of all pop rivets to match the gutter, elbow and downpipe colour. Working on one wall at a time, assemble gutter and accessories on the ground, starting with a corner or the end of a run. Allow a minimum of 65 mm (2 1/2") of gutter length for each lap joint.

Note: All measurements are written in the SI metric system, nominal imperial equivalents are provided in brackets.

Lap Joints

Start the lap by cutting 65 mm (2 1/2") off the top of the inside gutter front lip. Apply two beads of gutter sealant, 2 mm (1/16") thick over the inside of the outside gutter, the first bead a minimum 12 mm (1/2") from the gutter end and the second bead 25 mm (1") further in. (See Fig.1).

Fit the two gutter ends together (see Fig. 2) fastening them with seven pop rivets located between the two beads of sealant - two in the front, three in the bottom, two in the rear - making sure the completed lap is snug and free from gaps. Use a No. 30 drill for pop rivets holes. Apply sealant to the full length of seam and to pop rivets. Fit laps so that water runs over, not into, the lap joint.

In locations where the temperature range is large, pop rivets may fracture due to expansion and contraction of gutter with a total "straight line" length over 6 m (20').

Alternatively, a 65 mm (2 1/2") overlap - with generous beads of high grade silicone sealant which retains its elasticity - may prove more satisfactory. Try to ensure there is a spike and ferrule or gutter bracket close to the joint to provide good support.

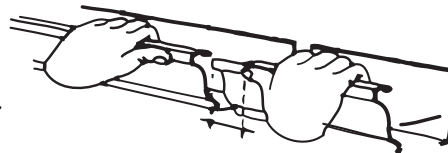
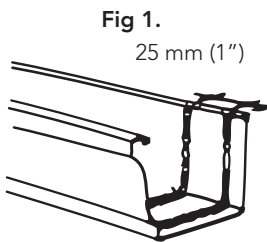


Fig 1.
25 mm (1")
12 mm min.
(1/2")

Fig 2.
65 mm
(2 1/2")

End Caps

Apply a bead of sealant inside the gutter over the full length of the joint between the end cap and gutter. Seat the cap over the gutter end and tap lightly with a hammer. Fasten the cap to the gutter in at least three places – one each at the front, the bottom, and the rear – using pop rivets or crimping tool. (See Fig. 3).

Hanging Gutter

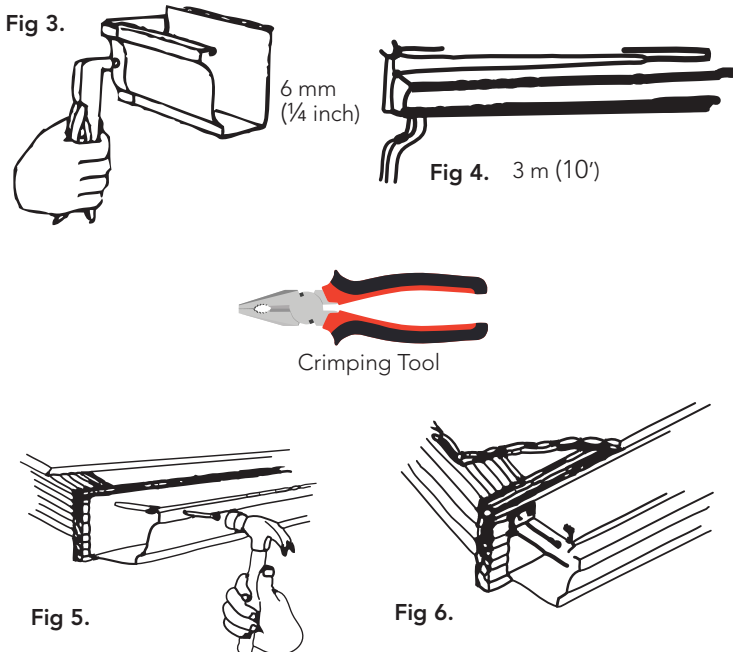
Note: Check outlet locations before commencing hanging.

Beginning at the end furthest from the downpipe outlet, slope the gutter at least 6 mm per 3 metres (1/4" per 10 ft) of run toward the nearest outlet. (See fig. 4). A long run may require an outlet at either end, in which case the slope is measured from the mid-point.

Hang the gutter with either aluminum spikes and ferrules (see Fig. 5) or Gentek gutter brackets. (See Fig. 6).

When hanging with spikes and ferrules, use the ferrule as a back-up, driving the spike through the face of the gutter front lip, ferrule and gutter back into the fascia board, roof rafter or lookout. To avoid denting or distorting the gutter, drive the spikes to only a snug fit. If the fascia board is nominal 25 mm (1") thick, or less, drive the spikes into the ends of the rafters or roof trusses.

When hanging with the Gentek gutter bracket, secure the bracket to the fascia board with minimum 38 mm (1 1/2") aluminum or hot dip galvanized spiral shank nails or No. 12 x 25 mm (1") hot dip galvanized wood screws (two nails or screws per bracket). Either spikes and ferrules or gutter brackets should be spaced not more than 800 mm (32") apart.



If the fascia board is nominal 25 mm (1") thick, or less, drive the spikes into the ends of the rafters or roof trusses.

When hanging with the Gentek gutter bracket, secure the bracket to the fascia board with minimum 38 mm (1 ½") aluminum or hot dip galvanized spiral shank nails or No. 12 x 25 mm (1") hot dip galvanized wood screws (two nails or screws per bracket). Either spikes and ferrules or gutter brackets should be spaced not more than 800 mm (32") apart.

Gutter Corners

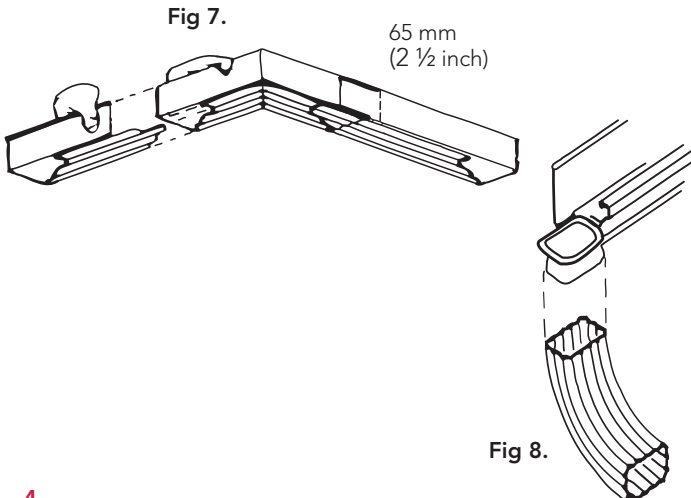
Using an inside or outside mitre, as required, apply sealant as described under "Lap Joints". Fit the first length of gutter into the mitre, seal and fasten securely as described under "Lap Joints". Fit the second length of gutter into the mitre and fasten as before. After assembly, be sure to apply sealant to the full length of all joints between gutter and mitre, all mitre seams and pop rivets. (See Fig. 7).

Downpipes

One downpipe is usually enough for the run-off from 45m² to 55m² (475 to 600 sq. ft) of roof area. At the locations where downpipes are needed, cut holes in the bottom of the gutter the same sizes and shapes as the outlets. For aluminum outlets, spread sealant on the underside of the flange, drop the outlet into the hole in the gutter and fasten outlet and gutter securely together with four pop rivets. For round plastic outlets, use a hole saw in an electric drill to cut the required accurately sized hole in the gutter. Push the outlet down until it snaps into place in the gutter.

Fit the elbow or downpipe over the bottom end of the outlet and fasten it securely to the aluminum outlet with two pop rivets, or to the plastic outlet with two aluminum or plated steel self tapping screws one each on opposite sides of the elbow or downpipe.

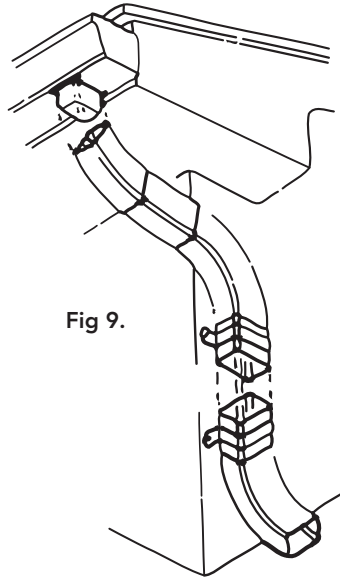
For best appearance, the side of the downpipe containing the seam should be against the wall. Use two "A" elbows to bring the downpipe against the wall and two "B" elbows to move it to the right or left. Connect elbow and downpipe by inserting the male end on one length into the female end of another, pop-riveting all connections and making the installation so that the female ends of elbows and downpipes face upwards. (See Fig. 8).



Using same nail spacing and sizes, install soffit "J" trim to cover edge of first soffit panel at end or at square or mitred corner of soffit installation.

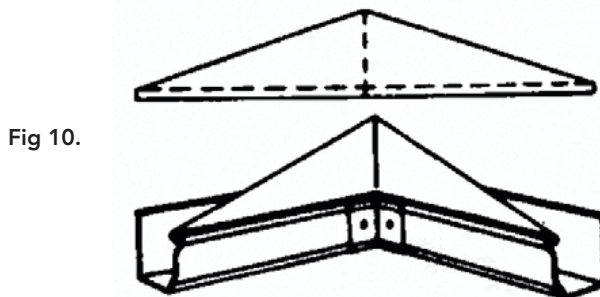
At corners, cut mitre only when soffit lengths are equal on both sides of corner and install back-to-back "J" channels at mitred soffit edges.

Wherever possible, downpipe should run down the side rather than the front of the building. To run the long side of the downpipe against the wall from a gutter on the building front it is necessary to use a style "B" elbow. In such cases be sure aluminum outlets are positioned properly in the gutter. Fasten the downpipe to the building wall with aluminum straps. Use a strap adjacent to the upper elbow at the wall and at least every 3 m (10') of straight run of downpipe. Unless the downpipe leads into a drain tile, use an "A" elbow at the bottom of the run to direct water away from the building foundation. (See Fig. 9).



Dams (optional)

In heavy rainstorms, overflow of gutters sometimes occurs at corners where two roof surfaces meet to form a valley. Overflow may be minimized or eliminated by installing a dam in the gutter. Cut a triangular piece of aluminum sheet, bend it and rivet it to the underside of the gutter front lip. (See Fig. 10).





Plastic
Outlet

Downpipe Strap

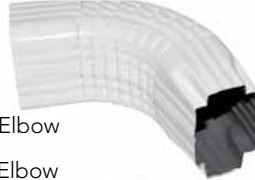


Ferrules



75° "A" Elbow

75° "B" Elbow



End Cap

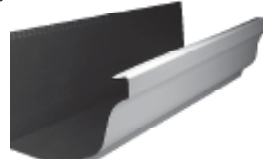


67 x 67 mm
(2 5/8" x 2 5/8")
Square Elbow

Gutter Bracket



5" K-Sty
Gutter



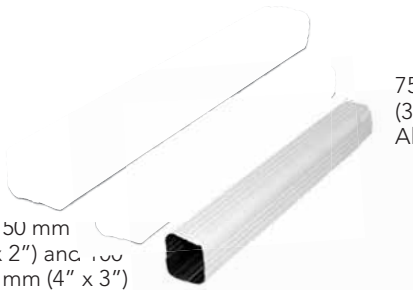
Inside Mitre



67 x 67 mm
(2 5/8" x 2 5/8")
Aluminum Outlet



67 x
(2 5/
Dov



75 x 50 mm
(3" x 2")
Aluminum Outlet



75 x 50 mm
(3" x 2") and 75 x
x 75 mm (4" x 3")
Downpipe Aluminum
Outlet



Outside Mitre



Aluminum Strainer



Aluminum Pop rivets



Touch-up Paint



Painted Coil Stock (for Gutter Machines)



150 & 175 mm
(6" & 7")
Aluminum Spike



Crimping Tool



Spray Bomb



Gutter Sealant

SOFFIT & FASCIA INSTALLATION

General:

All Gentek Siding and Soffits comply with CAN/CGSB-93.2M91, Canadian Norms for Prefinished Aluminum Siding, Soffits and Fascia, for Residential use.

Gentek Soffit is available in a variety of profiles. Vented panels are designed to allow air circulation into the attic areas to aid in the reduction of excessive heat build-up and water vapour condensation.

Following are the free flowing ventilation areas for Gentek soffit products.

PROFILE	PER LINEAR FOOT	PER PANEL
16" – 2 panel	4.02 sq. in. 26.0 cm ²	48.7 sq. in. 314 cm ²
18" – 3 panel	5.46 sq. in. 32.2 cm ²	54.6 sq. in. 352.26 cm ²
16" – 4 panel	4.12 sq. in. 26.0 cm ²	51.25 sq. in. 330.64 cm ²

VENTILATION: fully vented

To meet the National Building Code requirements, attic spaces require a free flow vent area of 92,900 mm²(1 ft²) for 27.9 m² (300 ft²) of insulated ceiling area.

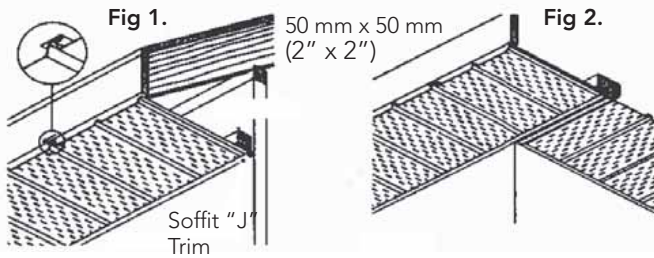
Gentek roll-formed fascia is supplied in 100 mm (4"), 152 mm (6") and 203 mm (8") widths, in 3 m (10') lengths. Soffit and fascia can be installed in new constructions as well as in re-siding projects.

Soffit Installation

In new residential construction the building contractor must prepare for Gentek soffit application by installing a 50 mm x 50 mm (2" x 2") nailing strip (see Fig. 1), on which will be installed a soffit "J" trim. This nailing strip is seldom necessary in renovation soffit applications because it is usually possible to nail a soffit "J" trim directly to existing wood surfaces.

The bottom edge of this nailing strip and the fascia board must be at the same level. Measure from the bottom of the installed soffit "J" to the outer face of the fascia board and cut soffit panels 6 mm (1/4") shorter than this measurement, using a circular saw with suitable metal-cutting blade. Note: Because the distance from the building wall to the fascia board may vary by more than 6 mm (1/4") throughout the wall length, it is wise to check the measurement at several points before cutting fascia panels.

To begin soffit installation, nail soffit "J" trim to nailing strip or to other wood surface at the corner where wall and soffit meet. Note: Nail on 400 mm (16") centres with 25 mm or 38 mm (1" or 1 1/2") aluminum nails.



When square corner is used (see Fig. 2) always extend "J" channels the full length of front and rear of building including the side soffit overhangs, and install back-to-back "J" channels at junction between front or rear and side soffit panels.

Slip the end and the nailing tongue edge of the first soffit panel into the "J" at the building wall and/or corner of the roof overhang and nail with 25 mm (1") or 38 mm (1 1/2") prefinished aluminum nails, one nail in each of the soffit main grooves at the fascia board end and one nail in the soffit nailing edge at the wall end.

Insert nailing tongue of the next soffit panel into locking groove of first soffit panel and nail as before, continuing the way along the overhang.

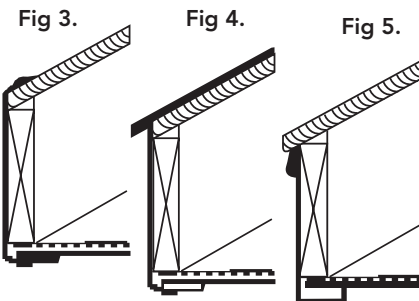
Fascia Installation

Fascia is usually installed with roof shingles already in place. In new construction, trim roof sheathing flush with face of wood fascia board. The roofing contractor should nail the first course of shingles approximately 75 mm (3") above the butt edge. Bend fascia top edge 25 mm (1"), insert under shingles and, while shingles edges are lifted, nail fascia top edge through roof sheathing and into wood fascia using aluminum siding nails on 600 mm (24") or 900 mm (36") centres. Using aluminum nails colour-matched to fascia, nail fascia bottom edge up through soffit on approximately 760 mm (30") centres (see Fig. 3).

Alternative installation:

As an alternative installation method with roof shingles already in place (see Fig. 4), bend fascia top edge 12 mm (1/2") and face nail with 25 mm (1") prefinished aluminum nails colour-matched to fascia. Use two rows of nails, one row approximately 25 mm (1") below the top edge of the fascia, the other approximately 25 mm (1") above the bottom edge. Nail on 760 mm (30") centres.

As an alternative to bending the fascia top edge, install large sill trim, using 25 mm (1") or 38 mm (1 1/2") prefinished aluminum nails on 400 mm (16") centres (see Fig. 5). Cut fascia to required width and, after crimping the top section with Crimping Tool (cat. FA-1-C) on approximately 400 mm (16") centres, slip the fascia cut edge in the large sill trim so that the crimps secure it in place. Using 25 mm (1") prefinished aluminum nails colour-matched to fascia, face nail the fascia approximately 25 mm (1") above bottom edge on 760 mm (30") centres.



1) Don't drive face nails so tight that they distort the fascia surface.

2) Overlap adjacent fascia panels 12 mm (1/2") by notching one of the panels to remove the vertical return. Always lap so that exposed edges face to the rear and sides away from building entrance.

- NOTES -

- NOTES -



GENTEK®

GENTEK BUILDING PRODUCTS

Gentek Building Products Installation Guides are for information only. If you are unsure of any procedure, consult Gentek Building Products or a qualified tradesman for advice. They can provide the information you need – and save you time and trouble.

Product Improvement Policy: Gentek Building Products is constantly improving product designs and manufacturing processes. We therefore must reserve the right to change specifications without notice. Please consult Gentek Building Products for current details. © 2013, Gentek Building Products.

Visit our site at www.gentek.ca