



**GAF**  
**Safety Data Sheet**  
**SDS # 2093**  
**SDS Date: July 2024**

**ATTACHMENT 6**  
**15 MILL STREET**

---

**SECTION 1: PRODUCT AND COMPANY INFORMATION**

---

**PRODUCT NAME:** Timberline HDZ®  
Timberline® UHDZ™  
Timberline® AH  
Timberline® NS  
Timberline® AS II  
Timberline® CS  
Timberline HDZ® RS  
Timberline HDZ® RS+  
Timberline® Solar HDZ™  
Fortitude

**TRADE NAME:** Asphalt / Fiberglass Shingles

**MANUFACTURER:** GAF

**ADDRESS:** 1 Campus Drive, Parsippany, NJ 07054

**24-HOUR EMERGENCY PHONE (CHEMTREC):** 800 – 424 – 9300

**INFORMATION ONLY:** 877 – GAF– ROOF

**APPROVED BY:** Corporate EHS

---

**SECTION 2: HAZARDS IDENTIFICATION**

---

As defined in the OSHA Hazard Communication Standard, 29 CFR 1910.1200, the products listed above are considered articles and do not require an SDS. In addition, articles are not included in the scope of the Globally Harmonization System (GHS). As such, the GHS labeling elements are not included on this SDS. All components listed for this product are bound within the product. When handled as intended and under normal conditions of use, there is no evidence that any of the ingredients are released in amounts that pose a significant health risk. Although these products are not subject to the OSHA Standard or GHS labeling elements, GAF would like to disclose as much health and safety information as possible to ensure that this product is handled and used properly. This SDS contains valuable information critical to the safe handling and proper use of the product. This SDS should be retained and be made available for employees and other users of this product. In addition, the recommendations for handling and use of these products should be included in worker training programs.

---

**ADDITIONAL HAZARD IDENTIFICATION INFORMATION:**

**PRIMARY ROUTE OF EXPOSURE:** Occasional nuisance dust.

**SIGNS & SYMPTOMS OF EXPOSURE**

**Eyes:** May cause irritation to the eyes.

**Skin:** May cause irritation to the skin.

**Ingestion:**

This product is not intended to be ingested. If ingested, it may cause temporary irritation to the gastrointestinal (digestive) tract

**Inhalation:**

May cause irritation to the respiratory tract.

**ACUTE HEALTH HAZARDS:**

NIOSH has found that studies of workers exposed to asphalt fume serous membranes of the conjunctivae (eye irritation) and the mu tract (nasal and throat irritation).

**CHRONIC HEALTH HAZARDS:**

Studies in humans have found that exposure to respirable crystalline silica (quartz) can cause silicosis, a fibrosis (scarring) of the lungs. Silicosis is a serious and irreversible disease; it may be progressive even after exposure has ceased; it can lead to disability and death. Human studies also have found that silicosis is a risk factor for tuberculosis, and that occupational exposure to respirable crystalline silica is associated with chronic obstructive pulmonary disease, including bronchitis and emphysema.

**CARCINOGENICITY:**

IARC has determined that occupational exposure to oxidized asphalt and its emissions is probably carcinogenic to humans (Group 2A). IARC concluded that available data from cancer studies in humans points to an association between exposures to oxidized asphalts during roofing and lung cancer and tumors in the upper aero-digestive tract. In addition, IARC found sufficient evidence of carcinogenicity in experimental animals for extracts and fume condensates of oxidized asphalts.

NIOSH has concluded that the collective data from human, animal, genotoxicity and exposure studies provide sufficient evidence that roofing asphalt fumes are a potential occupational carcinogen. Occupational exposure to respirable crystalline silica is classified as a known carcinogen in humans.

IARC has determined that respirable crystalline silica is carcinogenic to humans (Group 1), based on findings of sufficient evidence of carcinogenicity in both humans and experimental animals. NTP has classified respirable crystalline silica as a known human carcinogen based on sufficient evidence of carcinogenicity from studies in humans indicating a causal relationship between exposure to respirable crystalline silica and increased lung cancer rates in workers exposed to crystalline silica dust. NIOSH has determined that respirable crystalline silica is a potential occupational carcinogen.

**SECTION 3: COMPOSITION/INFORMATION ON INGREDIENTS**

CHEMICAL NAME	CAS #	%	OCCUPATIONAL EXPOSURE LIMITS		
			OSHA	ACGIH	OTHER
Granules	NA	20-45	NE	NE	NE
Limestone	1317-65-3	25-45	5 mg/m <sup>3</sup> – resp. 15 mg/m <sup>3</sup> – total	3 mg/m <sup>3</sup> – resp. 10 mg/m <sup>3</sup> – total	REL 5 mg/m <sup>3</sup> – resp. 10 mg/m <sup>3</sup> – total
Oxidized Asphalt	64742-93-4	10-30	NE	0.5 mg/m <sup>3</sup> (inhalable fraction as benzene soluble aerosol)	5 mg/m <sup>3</sup> – ceiling
Crystalline Silica	14808-60-7	0-10	50 µg/m <sup>3</sup>	0.025 mg/m <sup>3</sup>	REL 5 mg/m <sup>3</sup> – ceiling
Fiberglass Mat	65997-17-3	1-3	1 f/cc – resp.	1 f/cc – resp.	REL: 5 mg/m <sup>3</sup> – total fibers
Titanium Dioxide	13463-67-7	0-4	15 mg/m <sup>3</sup> – total	10 mg/m <sup>3</sup> – total	REL: lowest feasible concentration

NE = Not Established

**SECTION 4: FIRST AID MEASURES****FIRST AID PROCEDURES**

**EYES:** Hold eyelids open and wash with gentle stream of water for at least 15 minutes preferably at eyewash fountain.

**SKIN:** Wash affected area thoroughly with soap and water.

**INHALATION:** Remove to fresh uncontaminated air.

**INGESTION:** Not expected to be ingested.

**NOTES TO PHYSICIANS OR  
FIRST AID PROVIDERS:** No information available

---

**SECTION 5: FIRE FIGHTING PROCEDURES**

---

**SUITABLE EXTINGUISHING MEDIA:** Water spray, alcohol foam, carbon dioxide, or dry chemical.

**HAZARDOUS COMBUSTION  
PRODUCTS:** Carbon dioxide and carbon monoxide.

**RECOMMENDED FIRE FIGHTING  
PROCEDURES:** NIOSH-approved self-contained breathing apparatus is recommended for smoke protection.

**UNUSUAL FIRE & EXPLOSION  
HAZARDS:** None.

---

**SECTION 6: ACCIDENTAL RELEASE MEASURES**

---

**ACCIDENTAL RELEASE  
MEASURES:** Pick up or sweep up pieces. Avoid creating dust during clean up.

---

**SECTION 7: HANDLING AND STORAGE**

---

**HANDLING AND STORAGE:** No specific handling or storage requirements.

**OTHER PRECAUTIONS:** None

---

**SECTION 8: EXPOSURE CONTROLS/PERSONAL PROTECTION**

---

**ENGINEERING CONTROLS /  
VENTILATION:** None.

**RESPIRATORY PROTECTION:** Not applicable under normal use conditions. In circumstances where dust or fumes are generated and may exceed recognized allowable exposure levels, appropriate NIOSH approved respiratory protection is recommended.

**EYE PROTECTION:** Safety glasses with side shields

**SKIN PROTECTION:** Cotton or leather gloves are recommended when handling.

**OTHER PROTECTIVE EQUIPMENT:** None

**WORK HYGIENIC PRACTICES:** Wash exposed skin prior to eating, drinking or smoking and at the end of each shift.

---

**SECTION 9: PHYSICAL AND CHEMICAL PROPERTIES**


---

<b>APPEARANCE &amp; ODOR:</b>	Granule coated shingle; no appreciable odor. Various colors.		
<b>FLASH POINT:</b>	> 550 °F	<b>LOWER EXPLOSIVE LIMIT:</b>	Not Applicable
<b>METHOD USED:</b>	Not Applicable	<b>UPPER EXPLOSIVE LIMIT:</b>	Not Applicable
<b>EVAPORATION RATE:</b>	Not Applicable	<b>BOILING POINT:</b>	Not Applicable
<b>pH (undiluted product):</b>	Not Applicable	<b>MELTING POINT:</b>	Not Applicable
<b>SOLUBILITY IN WATER:</b>	Not Applicable	<b>SPECIFIC GRAVITY:</b>	Not Applicable
<b>VAPOR DENSITY:</b>	Not Applicable	<b>PERCENT VOLATILE:</b>	Not Applicable
<b>VAPOR PRESSURE:</b>	Not Applicable	<b>MOLECULAR WEIGHT:</b>	Not Applicable
<b>VOC WITH WATER (LBS/GAL):</b>	Not Applicable	<b>WITHOUT WATER (LBS/GAL):</b>	Not Applicable

---

**SECTION 10: STABILITY AND REACTIVITY**


---

**THERMAL STABILITY:** **STABLE**  **UNSTABLE**

**CONDITIONS TO AVOID (STABILITY):** None known.

**INCOMPATIBILITY (MATERIAL TO AVOID):** None known.

**HAZARDOUS DECOMPOSITION OR BY-PRODUCTS:** Carbon dioxide and carbon monoxide

**HAZARDOUS POLYMERIZATION:** Will not occur.

---

**SECTION 11: TOXICOLOGICAL INFORMATION**


---

**TOXICOLOGICAL INFORMATION:**

**Eyes:** May cause irritation to the eyes.

**Skin:** May cause irritation to the skin.

**Ingestion:** Ingestion may cause discomfort and/or distress.

Inhalation: May cause irritation to the respiratory tract.

**SECTION 12: ECOLOGICAL INFORMATION**

ECOLOGICAL INFORMATION: No information available.

**SECTION 13: DISPOSAL CONSIDERATIONS**

WASTE DISPOSAL METHOD: Comply with Federal, State and local regulations for disposal.

**SECTION 14: TRANSPORTATION INFORMATION**

**DOT**  
Not regulated as dangerous goods.

**IATA**  
Not regulated as dangerous goods.

**IMDG**  
Not regulated as dangerous goods,

**SECTION 15: REGULATORY INFORMATION**

**U.S. FEDERAL REGULATIONS**

**TSCA:** This product and its components are listed on the TSCA 8(b) inventory.

**CERCLA:** None

**SARA** None

**311 / 312 HAZARD CATEGORIES:** None

**313 REPORTABLE INGREDIENTS:** None

**CALIFORNIA PROPOSITION 65:** This product contains silica, oxidized asphalt and titanium dioxide, chemicals known to the State of California to cause cancer

Other state regulations may apply. Check individual state requirements. The following components appear on one or more of the following state hazardous substances lists:

Chemical Name	CAS #	CA	MA	MN	NJ	PA	RI
Limestone	1317-65-3	No	Yes	Yes	No	Yes	Yes
Crystalline Silica	14808-60-7	Yes	Yes	Yes	Yes	Yes	Yes
Oxidized Asphalt	64742-93-4	No	No	No	No	No	No

---

**SECTION 16: OTHER INFORMATION**


---

**ADDITIONAL COMMENTS:** None.

**DATE OF PREVIOUS SDS:** July 2021

**CHANGES SINCE PREVIOUS SDS:** Updated product names.

---

This information relates to the specific material designated and may not be valid for such material used in combination with any other materials or in any process. Such information is to the best of our knowledge and belief accurate and reliable as of the date compiled. However, no representation, warranty or guarantee, expressed or implied, is made as to its accuracy, reliability, or completeness. It is the user's responsibility to satisfy himself as to the suitability and completeness of such information for his particular use. We do not accept liability for any loss or damage that may occur from the use of this information. Nothing herein shall be construed as a recommendation for uses which infringe valid patents or as extending a license of valid patents.



## Manu Data

---

### French Door – Wood

#### **Frame:**

- Pine, red grandis or mahogany
- Thickness 1 ¼" (32mm)
- Depth 4 9/16" (116mm), 6 9/16" (167mm) or 7 ¼" (184mm)

#### **Panel:**

- Pine, red grandis or mahogany
- Thickness 1 ¾" (44.5mm) or 2 ¼" (57mm)
- Colonial or putty glaze
- Stiles and top rail width: 5" or 3 5/8"
- Bottom rail 9", 5" or 3 5/8"
- Choice of flat or raised panels

#### **Interior finish:**

- Natural, primed, first coat, Lepage stain or paint over 50 colors

#### **Exterior finish:**

- Natural, primed, first coat, Lepage stain or paint over 50 colors

#### **Hardware:**

- Adjustable hinges: satin chrome, antique nickel, polish brass, antique brass, oil rubbed bronze or black
- 4" x 4" ball bearing: satin chrome, antique nickel, polish brass, antique brass, oil rubbed bronze or black
- 4 ½" x 4 ½" ball bearing: satin chrome, polish chrome, satin nickel, antique nickel, polish brass, unlaquered brass, antique brass, oil rubbed bronze or black
- Stainless steel multi-point lock
- Traditional or contemporary handles: satin chrome, satin nickel, antique nickel, polish brass, antique brass, oil rubbed bronze or black

#### **Weather-strip**

- Silicone

#### **Insulated glass tempered:**

- Double glaze ¾" (19 mm)
- Triple glaze 1 ¼" (32mm) with 2 ¼" (57mm) sash
- "Technoform" spacer, bronze, white, black or grey.
- Argon

#### **Glass available:**

- Clear, grey, bronze, pinhead, glue-chip
- Low-e: Energy advantage, 272, 366, 189
- Laminated



**Screen:**

- AS-07 all aluminium sliding screen
- Wood screen, panel 1 3/4" (44.5mm), with hinges
- Combo with glass and available with flat or raised panel

**Grilles:**

- Internal georgian 3/4", 1" or 1 3/4"
- Internal flat 5/16", 5/8", 3/4" or 1"
- Internal tubular: white, brass or pewter

**Simulated Divided Lites (SDL):**

- 5/8", 7/8", 1 1/4" or 1 3/4"
- Spacer bars bronze, grey, white or black

**True Divided Lites (TDL):**

- TDL 5", 3 5/8" or 1 7/8"

**Casing:**

- 908
- Colonial
- 1 1/4" x 3 1/2" Flat casing
- 1 1/4" x 4 1/2" Flat casing
- 1 1/4" x 5 1/2" Flat casing

**Exterior Jamb Extension:**

- Finish and wood species same as exterior frame 1/8" min and 2" max

**Interior Jamb Extension:**

- Finish and wood species same as interior frame 1/8" min and 6" max

**Minimums and Maximums:**

Minimum width (simple):	21 13/16" 26 1/2"	Minimum width (double):	42" - 1 3/4" 51 1/2" - 2 1/4"
Maximum width (simple):	50 3/4"	Maximum width (double):	99 7/8"
Maximum height:	108"		
Minimum height (with Multipoint - inswing):			72 3/4"
Minimum height (with Multipoint - outswing):			71 3/4"
Minimum height (with Multipoint – Handicapped sill):			71 3/16"
Minimum height (without multipoint)			48"

Minimum: 24 square foot (IG)

For more information, please visit our web site at [www.lepagemillwork.com](http://www.lepagemillwork.com)



## Manu Data

---

### Hung Window H-100 – Wood

#### **Frame:**

- Pine, red grandis or mahogany
- Thickness 1 7/16" (36mm)
- Depth 4 9/16" (116mm)

#### **Sash:**

- Pine, red grandis or mahogany
- Thickness 1 3/4" (44,5mm)
- Colonial or putty glaze

#### **Interior finish:**

- Natural, primed, first coat, Lepage stain or paint over 50 colors

#### **Exterior finish:**

- Natural, primed, first coat, Lepage stain or paint over 50 colors

#### **Hardware:**

- Recessed, white coppertone, polish brass, oil rubbed bronze, satin nickel, satin chrome
- Surface mount: unlaquered brass, polish brass, polish nickel, oil rubbed bronze, satin nickel

#### **Weather-strip**

- Q-Ion and silicone

#### **Insulated glass:**

- Double glaze 3/4" (19 mm)
- "Technoform" spacer, bronze, white, black or grey.
- Argon

#### **Glass available:**

- Clear, grey, bronze, pinhead, glue-chip
- Low-e: Energy advantage, 272, 366, 189
- Tempered
- Laminated

#### **Screen:**

- Mesh: invisible fiberglass, grey or black aluminium
- Surround: white, coppertone
- Wood screen surround
- Retractable

**Grilles:**

- Removable 7/8"
- Internal georgian 3/4", 1" or 1 3/4"
- Internal flat 5/16", 5/8", 3/4" or 1"
- Internal tubular: white, brass or pewter

**Simulated Divided Lites (SDL):**

- 5/8", 7/8", 1 1/4" or 1 3/4"
- Spacer bars bronze, grey, white or black

**True Divided Lites (TDL):**

- TDL 1 3/4"
- TDL 1 1/4" (putty glaze sash)

**Casing:**

- 908
- Colonial
- 1 1/4" x 3 1/2" Flat casing
- 1 1/4" x 4 1/2" Flat casing
- 1 1/4" x 5 1/2" Flat casing

**Sill Extension:**

- Standard GB-021 (1" x 1 1/4")
- Standard GB-040 (1" x 3")
- Historical GB-036 (1 3/4" x 2 1/4")
- Historical GB-058 (1 3/4" x 3")

**Exterior Jamb Extension:**

- Finish and wood species same as exterior frame 1/8" min and 3" max

**Interior Jamb Extension:**

- Finish and wood species same as interior frame 1/8" min and 6" max

**1 3/4" Sash Window - Minimums and Maximums:**

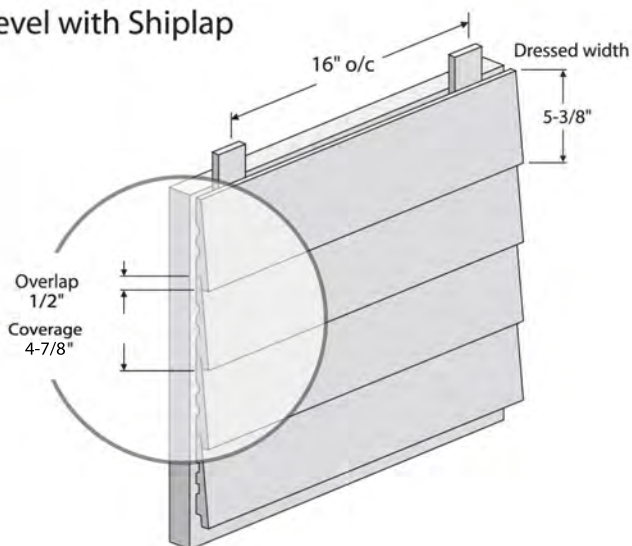
Minimum width:	13 1/2"	Maximum width:	48"
Minimum height:	24"	Maximum height:	84"

Frame size, maximum: 23.1 sq. ft. (9 sq. ft. I.G.) (3mm glass) (operating sash)  
 19 sq. ft. (7 sq. ft. I.G.) (4mm glass) (operating sash)

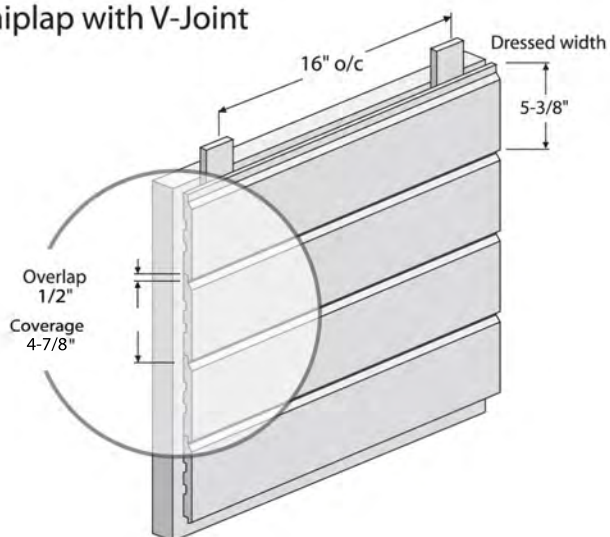
For more information, please visit our web site at [www.lepagemillwork.com](http://www.lepagemillwork.com)



Bevel with Shiplap



Shiplap with V-Joint



Classic Series

1" x 6" Bevel



Dimensions

Overlap :	1/2"
Dressed width :	5-3/8"
Coverage :	4-7/8"

1" x 6" V-Joint



Dimensions

Overlap :	1/2
Dressed width :	5-3/8"
Coverage :	4-7/8"

